

ACTUATOR SERIES ALB100

ESBE series ALB is specially designed for applications which require a high resolution and high velocity.



ALB100
3-point/Proportional

OPERATION

ESBE series ALB is either controlled by a 3-point (increase/decrease) signal or by a proportional (0..10V, 2..10V) signal. Proportional control signal gives a fast actuator.

The electronic circuitry of the actuator ensures that the running time is the same, regardless of the stroke of the valve in question.

It is easy to mount and connect the actuator. It can be mounted directly onto ESBEs control valves, without any linkage kit.

The working range of the actuator is adjusted automatically depending on the stroke of the valve. The electronic circuitry of the actuator then takes care of the adjustment of the valve end positions.

FUNCTION

– The actuator

The actuator receives a control signal from a controller. The screw transmits a linear movement which moves the stem of the valve.

– Manual operation

There is a manual operation handle on the actuator. When it is lowered, the motor stops. The actuator can then be operated manually if the handle is turned.

– Position feedback

The actuator is equipped with a 2–10V DC position feedback signal, where 2V always corresponds to the closed position and 10V to the open position.

– End position contacts

At sequence control the end position contacts could be used to switch entirely at closed respectively fully open positions.

ADAPTOR KITS

No linkage kits are required for the fitting to ESBE valves.

Adaptor kits for other valves are available as follows:

Art. No.

26000200 _____ Siemens VVF 31, VXF 31, VVG 41, VXG 41,
 _____ VVF 52, VVF 61, VXF 61, VVF 45,
 _____ VVF 51, VXF 11, VVG 11, VFG 34

OPTIONS

Art. No.

26200700 _____ End position contacts, 24 V

TECHNICAL DATA

Supply voltage: _____ 24 VAC ±10%, 50/60 Hz
 Power consumption: _____ 15 VA
 Running time by proportional signal
 Valve with stroke 10–25 mm: _____ 15 s
 Valve with stroke 10–32 mm: _____ 20 s
 Valve with stroke 10–52 mm: _____ 30 s
 Running time by increase/decrease signal: _____ 300 s/60 s
 Stroke: _____ 10–52 mm
 Force: _____ 800 N
 Duty cycle: _____ max. 20%/h
 Output Y, Voltage: _____ 2–10 V (0–100%)*
 Ambient temperature: _____ -10°C – +50°C *
 Ambient humidity: _____ max. 90% RH
 Enclosure rating: _____ IP 54

Material

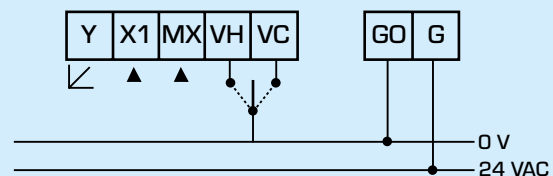
Cover: _____ Plastic / Metal
 Housing: _____ Aluminum
 Weight: _____ 1,8 kg

* If the actuator is used in applications with media temperatures below 0°C, the valve should be equipped with a stem heater.

CE LVD 2014/35/EU
 EMC 2014/30/EU
 RoHS3 2015/863/EU

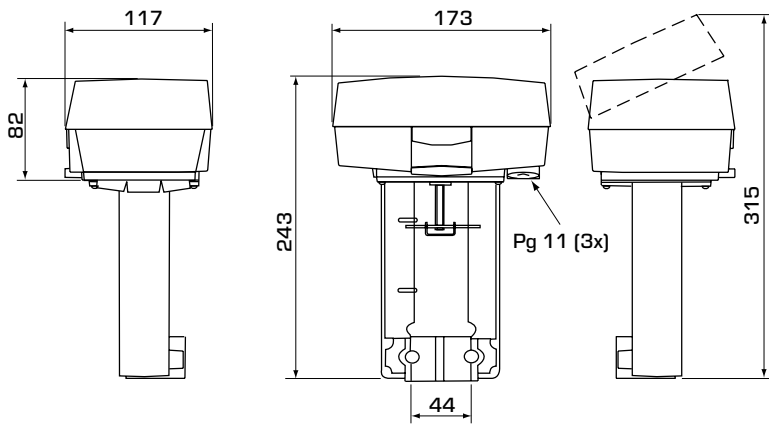
UK CA EAC

WIRING



Y = Feedback signal
 X1 = Control signal
 MX = Input neutral
 VH/VC = Increase/Decrease
 GO/G = Supply voltage

ACTUATOR SERIES ALB100



SERIES ALB144, PROPORTIONAL OR 3-POINT CONTROL SIGNAL 24 V AC

Art. No.	Reference	Supply voltage [V]	Force [N]	Power consumption [VA]	Note
22050100	ALB144	24 V AC, 50/60Hz	800	15,0	1)

Note 1) 0...10 V, 2...10 V or 3-point control signal.