

# CONNECTION KIT SERIES KTD200, KTD300

Connection kit with external thread for use on externally threaded valves.



KTD200  
External thread

KTD300  
External thread

## VERSIONS

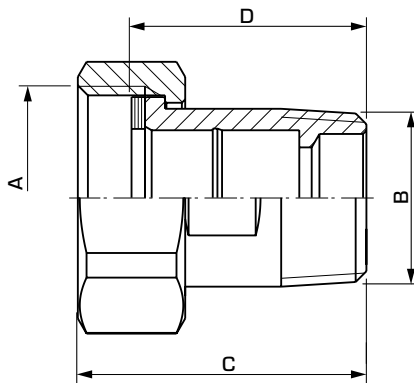
Each package contains three of each of connection pieces, nuts and gaskets.

Check valves available according to table.

## SUITABLE VALVES

The connection kit series KTD200 and KTD300 may most easily be fitted with ESBE thermostatic control units:

- Series VTS522, 552
- Series VTA332, 532
- Series VTA362, 562
- Series VTA322, 522
- Series VTA352, 552
- Series VTA372, 572
- Series VMC312



## TECHNICAL DATA

Pressure class: \_\_\_\_\_ PN10  
 Media temperature: \_\_\_\_\_ max. +120°C  
 \_\_\_\_\_ min. -20°C  
 Connection - nipple design: \_\_\_\_\_ acc. to EN 1254-4  
 \_\_\_\_\_ Internal thread (G), ISO 228/1  
 \_\_\_\_\_ External thread (R), EN 10226-1

Material  
 Nut: \_\_\_\_\_ Brass CW 614N  
 Connection piece: \_\_\_\_\_ Dezincification resistant brass, DZR\*  
 Gasket: \_\_\_\_\_ Unitec 300

\* Suitable for drinking water applications

PED 2014/68/EU, article 4.3 / SI 2016 No. 1105 (UK)

## SERIES KTD212, 312 EXTERNAL THREAD (3 CONNECTIONS/PACKAGE)

| Art. No. | Reference | Connection |      | Dimension |    | Note | Weight [kg] |
|----------|-----------|------------|------|-----------|----|------|-------------|
|          |           | A          | B    | C         | D  |      |             |
| 36552200 | KTD212    | G 1"       | R ¾" | 43        | 35 | 1)   | 0,36        |
| 36552400 | KTD312    |            |      |           |    | 2)   | 0,36        |
| 36552300 | KTD212    | G 1¼"      | R 1" | 48,5      | 40 | 1)   | 0,63        |
| 36552500 | KTD312    |            |      |           |    | 2)   | 0,63        |

Note 1) One check valve included 2) Two check valves included