



**Exchange kit
SERIES FSK906**

ESBE
NO.1 IN HYDRONIC SYSTEM CONTROL



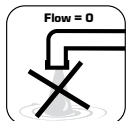
Series FSK906



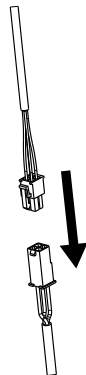
LVD 2006/95/EC
EMC 2004/108/EC
RoHS 2011/65/EU

Mtrl.nr: 9814 09 19 • Ritn.nr: 5287 utg. A • Rev. 1505

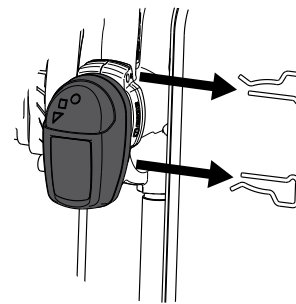
1



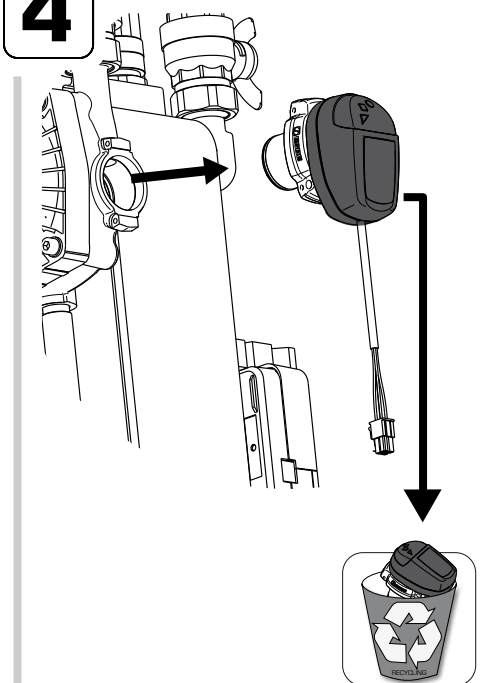
2



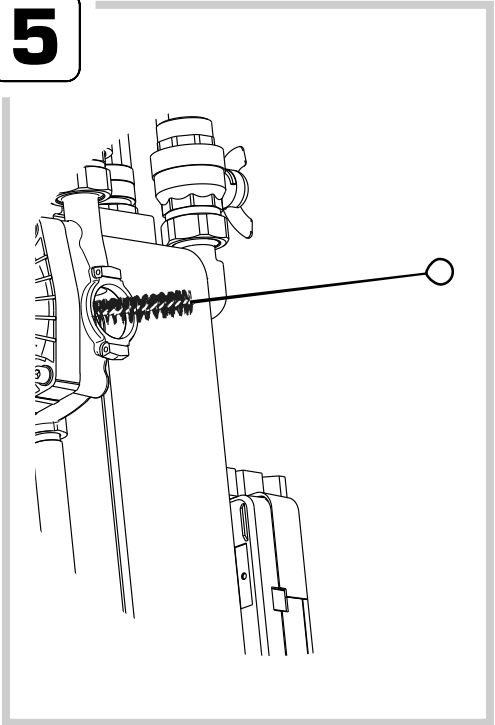
3



4

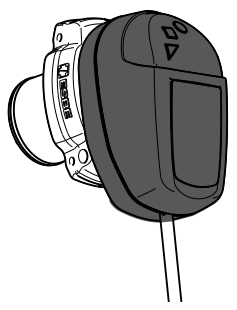


5

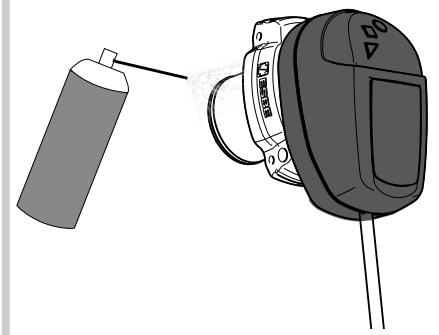


i

**Exchange kit
SERIES FSK906**

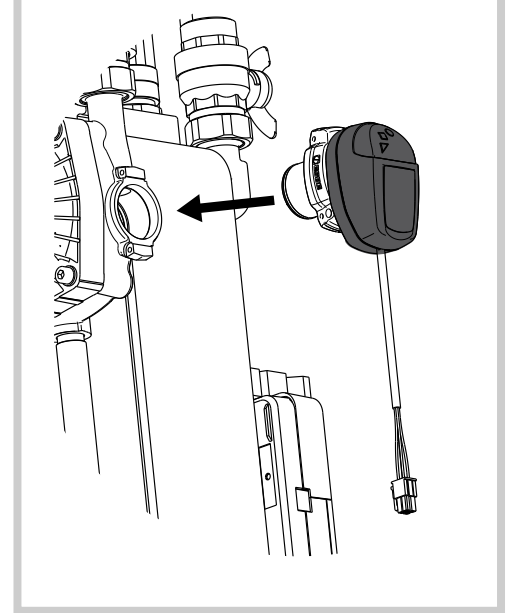


6

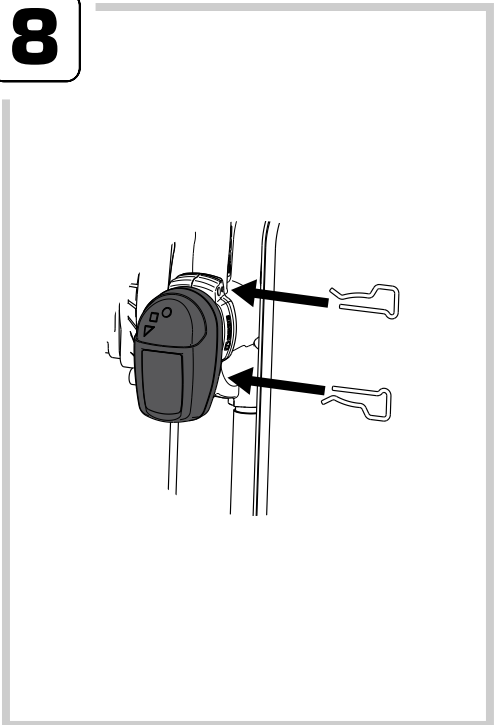


- Endast silikonbaserat smörjmedel
- Only silicone based lubricants
- Nur Gleitmittel auf Silikonbasis

7



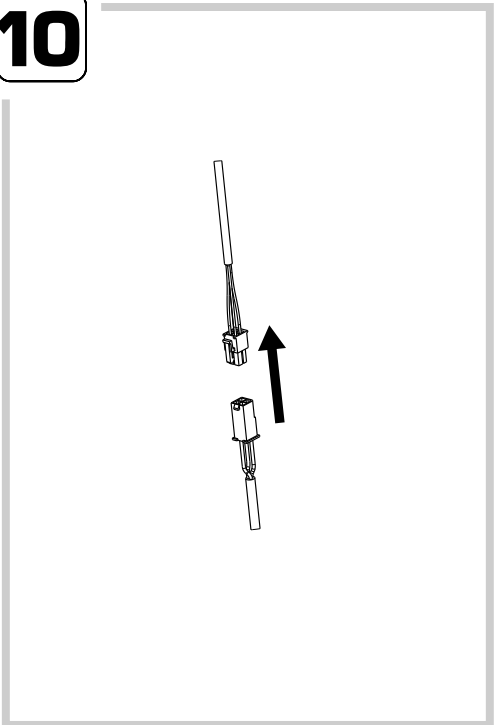
8



9



10



i

