

MANIFOLD SERIES GMA300

OPERATION

The ESBE series GMA300 manifolds are dedicated for ESBE circulation units series GxA300. The manifolds have standard outlet dimension of 90mm and are equipped with insulation shell according to EnEV2014. The manifolds are delivered with wall brackets.

SERVICE AND MAINTENANCE

The manifold does not require any specific maintenance under normal conditions.



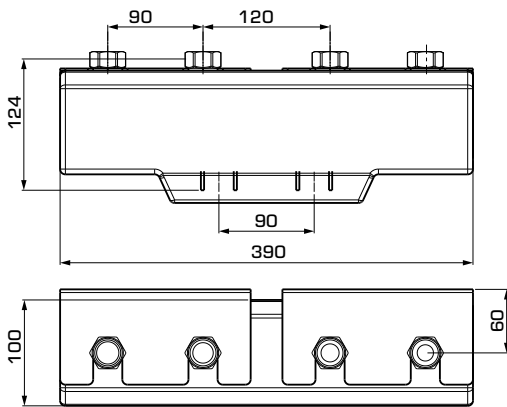
ESBE Series GMA321
Manifold for 2 units, without integrated hydraulic separator function.



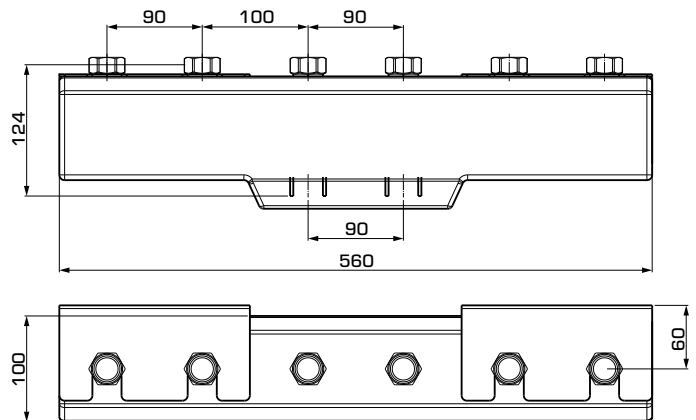
ESBE Series GMA331
Manifold for 3 units, without integrated hydraulic separator function.



PRODUCT ASSORTMENT



GMA321



GMA331

ESBE Manifold Series GMA300

Art. No.	Reference	No. of circulation units	Connections		With hydraulic separator	Weight [kg]	Note
			To system	From Heat source			
66000500	GMA321	2	RN 1"	G 1"	No	3,1	
66000600	GMA331	3					

* RN = Rotating nut

MANIFOLD

SERIES GMA300

TECHNICAL DATA

 Visit esbe.eu for further detailed information.

Technical data:

Pressure class: _____ PN 4
 Media temperature: _____ max. +110°C
 _____ min. 0°C
 Working pressure: _____ 0,4 MPa (4 bar)
 Standard outlet spacing: _____ 90 mm

Flow rate: _____ 3,0 m³/h
 Output: _____ 70 kW at Δt 20K

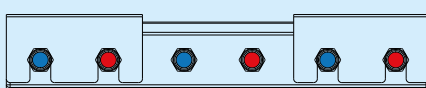
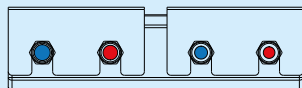
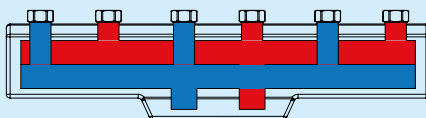
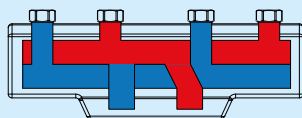
Material, in contact with water:

Components of: _____ Black coated steel S235
 Insulation: _____ EPP λ 0.036 W/mK

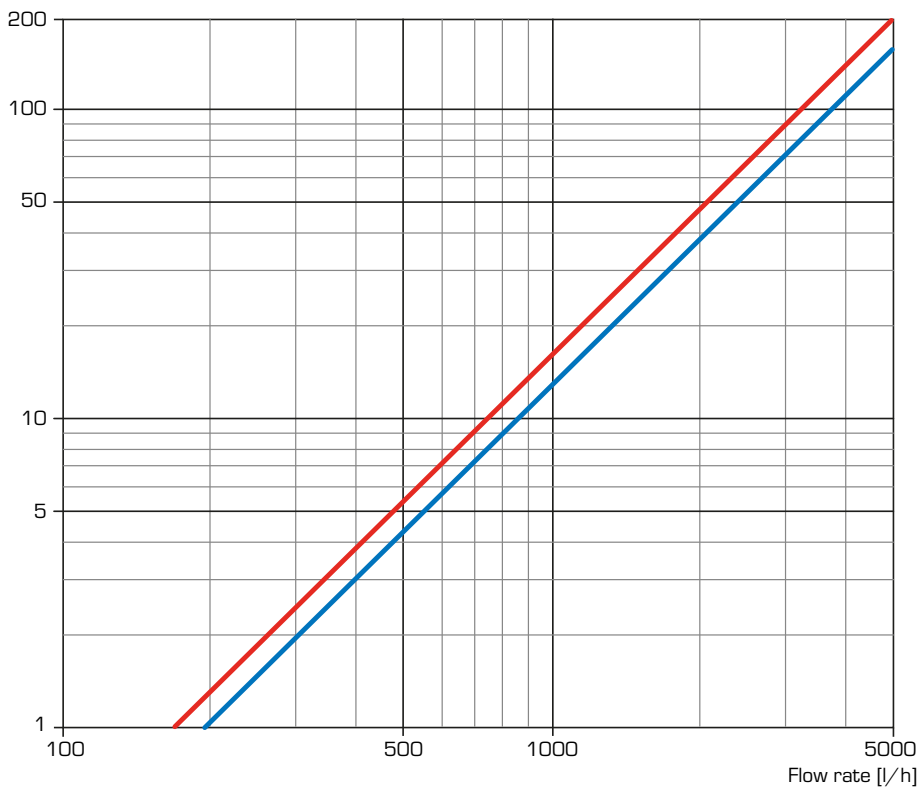




Return 

Supply 



Pressure loss
[mbar]



 Series GMA331
 Series GMA321