

THERMOSTATIC MIXING VALVE

PREMIUM SERIES VTA330

The ESBE thermostatic mixing valves series VTA330 are designed to satisfy the highest possible market requirements when it comes to accuracy of regulation, quick reaction and safe function with high flow capacity, regardless of varying pressure conditions.



VTA330
External thread

OPERATION

Series VTA330 is primarily designed to provide a highly accurate temperature regulation in point-of-use positions for domestic hot water, at taps or showers where no further temperature-control fittings have been installed.

FUNCTION

The quick reaction thermostat and the pressure balanced control valve regulator allow the VTA330 to provide minimal changes of temperature regardless of varying pressure conditions. Asymmetrical flow pattern. Scald safe*.

VERSIONS

The product range includes a wide choice of valves delivered with adapter fitting kits, each including three adapter fittings and two check valves, which facilitate easy installation and maintenance.

Supplied with a top cover, unless otherwise stated.

*) Scald safe means that in the case of a cold water failure, the hot water supply shuts off automatically.

MEDIA

These valves can handle the following types of media:

- Fresh water / Potable water
- Closed systems
- Water with antifreeze additive (glycol ≤ 50% mixture)

VALVES ARE DESIGNED FOR

Series	Temperature range		Application
	32 - 49°C	35 - 60°C	
VTA330	○	○	Potable water, in line
VTA330	●	●	Potable water, point of use
VTA330			Solar heating
VTA330			Cooling
VTA330	○		Floor heating
VTA330		○	Radiator heating

● recommended ○ secondary alternative

TECHNICAL DATA

Pressure class: _____ PN 10
 Working pressure: _____ 1,0 MPa (10 bar)
 Differential pressure: _____ Mixing, max. 0,3 MPa (3 bar)
 Media temperature: _____ max. 95°C
 Temperature stability: _____ ± 1°C*
 Connection: _____ External thread (G), ISO 228/1

* Valid at unchanged hot/cold water pressure, minimum flow rate 4 l/min.
 Minimum temperature difference between hot water inlet and mixed water outlet 10°C.

Material

Valve housing and other metal parts with fluid contact:
 _____ Dezincification resistant brass, DZR
 Surface treatment: _____ Nickel-plated

PED 2014/68/EU, article 4.3

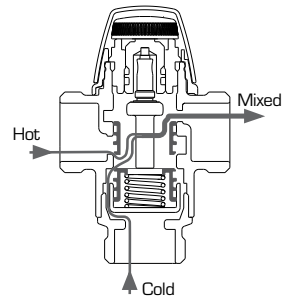
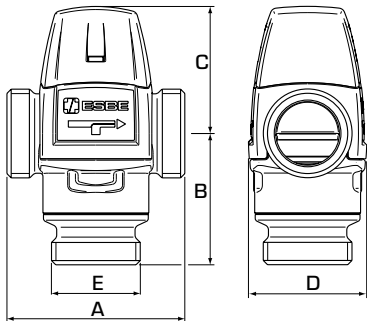
Pressure Equipment in conformity with PED 2014/68/EU, article 4.3 (sound engineering practice). According to the directive the equipment shall not carry any CE-mark.



4MS/UBA
4MS/KTW-BWGL

THERMOSTATIC MIXING VALVE

PREMIUM SERIES VTA330

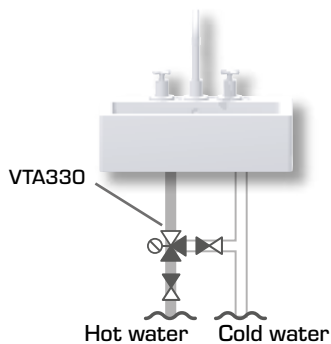


➔ SERIES VTA332, EXTERNAL THREAD

Art. No.	Reference	Temp. range	Kvs *	Connection E	Dimension				Note	Weight [kg]
					A	B	C	D		
31150200	VTA332	32 - 49°C	1,2	G 3/4"	70	54	52	46		0,52
31150700	VTA332	35 - 60°C	1,2	G 3/4"	70	54	52	46		0,52
31150900			1,3	G 1"						0,55

* Kvs-value in m³/h at a pressure drop of 1 bar.

INSTALLATION EXAMPLES



The shown applications are only examples of product use!
Before using the product in any application, the regional and national regulations need to be checked.

THERMOSTATIC MIXING VALVE

PREMIUM SERIES VTA330

CAPACITY DIAGRAM

